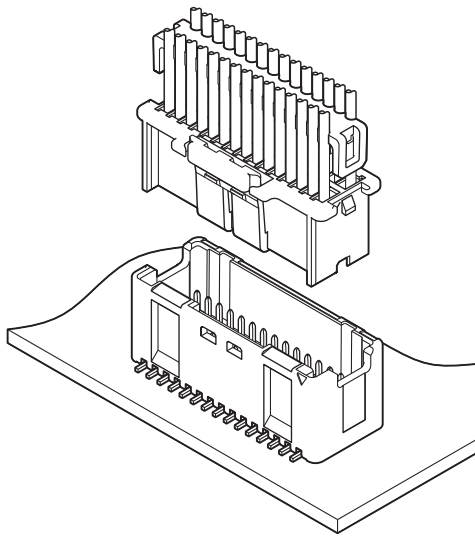




# ZND CONNECTOR

1.5 mm pitch/Wire-to-Board connectors/Crimp style and Mating style



This connector is a 1.5 mm pitch, dual-row SMT mountable connector with secure locking mechanism for high-density board designs and is compatible with the potting process.

Excellent mating feeling ensures reliable mating operation.

- Header suitable for potting process
- Secure lock mechanism
- Retainer mountable type

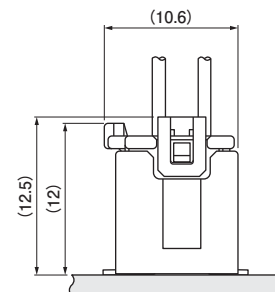
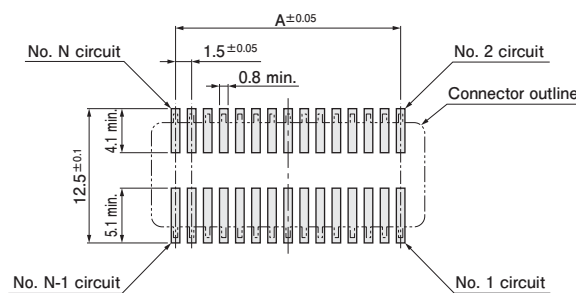
## Standards

☑ :Recognized E 60389

## Specifications

- Current rating: 2 A AC/DC (AWG #24)
- Voltage rating: 100 V AC/DC
- Temperature range: -25°C to +85°C  
(including temperature rise in applying electrical current)
- Contact resistance:
  - Initial value/ 10 mΩ max.
  - After environmental tests/ 20 mΩ max.
- Insulation resistance: 500 MΩ min.
- Withstanding voltage:
  - There shall be no breakdown or flashover while applying 500 VAC for one minute.
- Applicable wire range:
  - Conductor size/ AWG #28 to AWG #24
  - Insulation O.D. /  $\phi$ 0.76 mm to  $\phi$ 1.3 mm
- \* In using the products, refer to "Handling Precaution for Terminals and Connectors" described on our website (Technical documents of Product information page).
- \* RoHS2 compliance
- \* Dimensional unit: mm
- \* Contact JST for details.

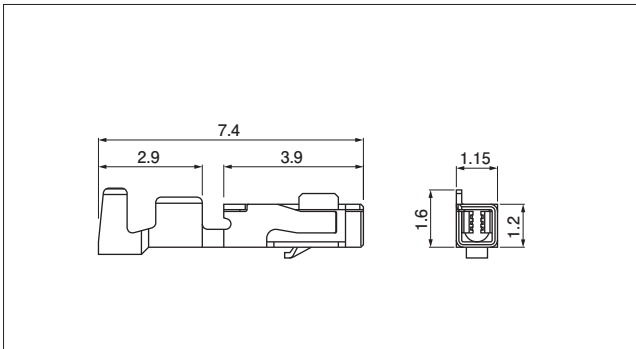
## PC board layout and Assembly layout



- Note: 1. The figure of PC board layout is the figure viewed from the connector mounting side.  
 2. Dimension A: See "Header" section on page 3.  
 3. Tolerance for the PCB pattern pitch shall be  $\pm 0.05$ , and shall not accumulate more than  $\pm 0.05$ .  
 4. The above dimensions are reference values. Please contact JST for details.

# ZND CONNECTOR

## Contact



Model No.	Applicable wire range		Q'ty/ reel
	Conductor size AWG (mm <sup>2</sup> )	Insulation O.D. (mm)	
SZND-002T-P0.5	#28 to #24 (0.08 to 0.21)	0.76 to 1.3 <sup>(Note)</sup>	23,000

Material and Surface finish, etc.

Copper alloy, tin-plated

Note: The insulation O.D. is  $\phi$  1.0 mm to  $\phi$  1.3 mm upon using a retainer.

### Crimping machine

Contact	Crimping machine	Applicator	Crimp applicator with dies
SZND-002T-P0.5	AP-K2N	MKS-L	APLMK SZND/M002-05

Note: Contact JST for fully automatic crimping applicator.

## Socket housing

<4 circuits>

<6 circuits>

<8 to 16 circuits>

<18 to 28 circuits>

<30 to 36 circuits>

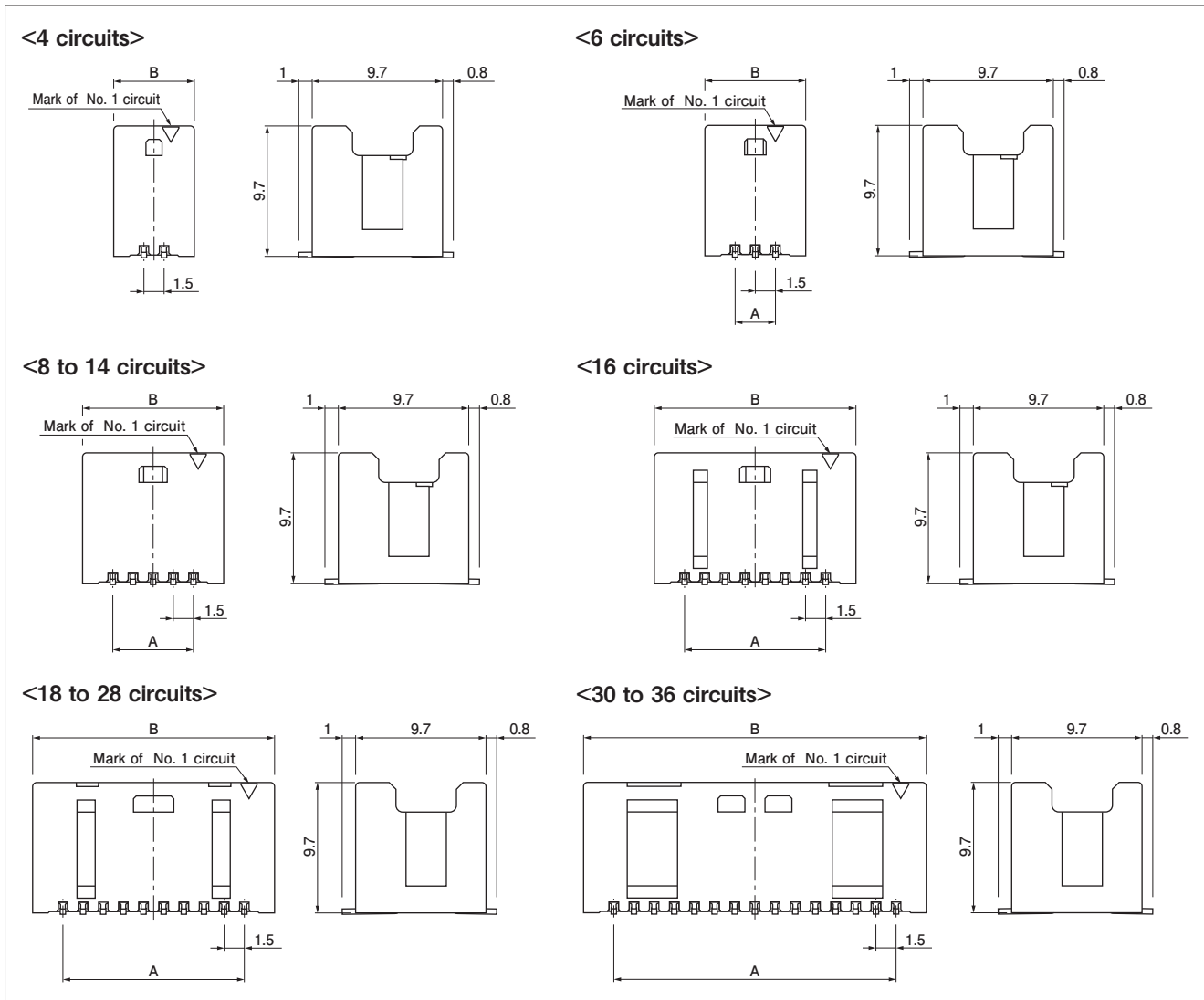
No. of circuits	Model No.	Dimensions (mm)		Q'ty/bag
		A	B	
4	ZNDP-04V-A-S	—	6.0	1,000
6	ZNDP-06V-A-S	3.0	7.5	1,000
8	ZNDP-08V-A-S	4.5	9.0	1,000
10	ZNDP-10V-A-S	6.0	10.5	1,000
12	ZNDP-12V-A-S	7.5	12.0	1,000
14	ZNDP-14V-A-S	9.0	13.5	1,000
16	ZNDP-16V-A-S	10.5	15.0	1,000
18	ZNDP-18V-A-S	12.0	16.5	1,000
20	ZNDP-20V-A-S	13.5	18.0	1,000
22	ZNDP-22V-A-S	15.0	19.5	1,000
24	ZNDP-24V-A-S	16.5	21.0	1,000
26	ZNDP-26V-A-S	18.0	22.5	1,000
28	ZNDP-28V-A-S	19.5	24.0	1,000
30	ZNDP-30V-A-S	21.0	25.5	1,000
32	ZNDP-32V-A-S	22.5	27.0	1,000
34	ZNDP-34V-A-S	24.0	28.5	1,000
36	ZNDP-36V-A-S	25.5	30.0	1,000

Material and Surface finish, etc.

PA 66 (Glass-filled), UL94V-0, natural

# ZND CONNECTOR

## Header



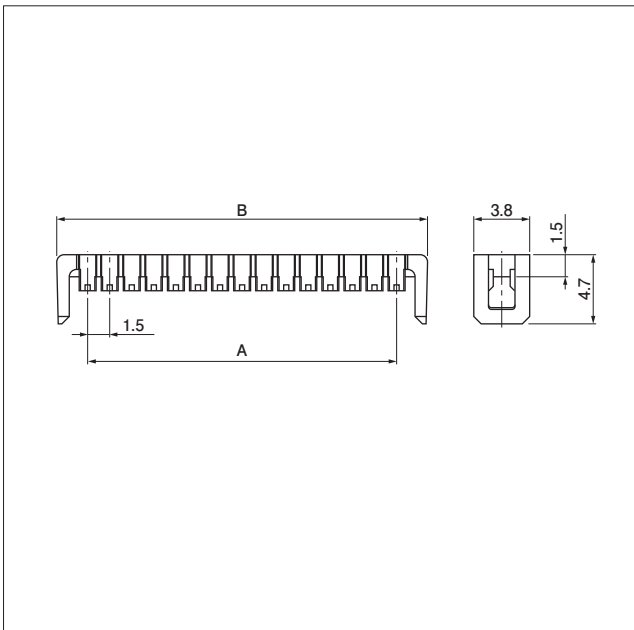
No. of circuits	Model No.	Dimensions (mm)		Q'ty/reel
		A	B	
4	BM04B-ZNDSS-A-TF	—	6.0	520
6	BM06B-ZNDSS-A-TF	3.0	7.5	520
8	BM08B-ZNDSS-A-TF	4.5	9.0	520
10	BM10B-ZNDSS-A-TF	6.0	10.5	520
12	BM12B-ZNDSS-A-TF	7.5	12.0	520
14	BM14B-ZNDSS-A-TF	9.0	13.5	520
16	BM16B-ZNDSS-A-TF	10.5	15.0	520
18	BM18B-ZNDSS-A-TF	12.0	16.5	520
20	BM20B-ZNDSS-A-TF	13.5	18.0	520
22	BM22B-ZNDSS-A-TF	15.0	19.5	520
24	BM24B-ZNDSS-A-TF	16.5	21.0	520
26	BM26B-ZNDSS-A-TF	18.0	22.5	520
28	BM28B-ZNDSS-A-TF	19.5	24.0	520
30	BM30B-ZNDSS-A-TF	21.0	25.5	520
32	BM32B-ZNDSS-A-TF	22.5	27.0	520
34	BM34B-ZNDSS-A-TF	24.0	28.5	520
36	BM36B-ZNDSS-A-TF	25.5	30.0	520

Material and Surface finish, etc.

Press post: Copper alloy, copper-undercoated, tin-plated  
Wafer: Polyamide, UL94V-0, natural

# ZND CONNECTOR

## Retainer



No. of circuits	Model No.	Dimensions (mm)		Q'ty/bag
		A	B	
4	ZNDS-04V-K	—	5.7	2,000
6	ZNDS-06V-K	3.0	7.2	2,000
8	ZNDS-08V-K	4.5	8.7	2,000
10	ZNDS-10V-K	6.0	10.2	2,000
12	ZNDS-12V-K	7.5	11.7	2,000
14	ZNDS-14V-K	9.0	13.2	2,000
16	ZNDS-16V-K	10.5	14.7	2,000
18	ZNDS-18V-K	12.0	16.2	2,000
20	ZNDS-20V-K	13.5	17.7	2,000
22	ZNDS-22V-K	15.0	19.2	2,000
24	ZNDS-24V-K	16.5	20.7	2,000
26	ZNDS-26V-K	18.0	22.2	2,000
28	ZNDS-28V-K	19.5	23.7	2,000
30	ZNDS-30V-K	21.0	25.2	2,000
32	ZNDS-32V-K	22.5	26.7	2,000
34	ZNDS-34V-K	24.0	28.2	2,000
36	ZNDS-36V-K	25.5	29.7	2,000

Material and Surface finish, etc.

PA 66 (Glass-filled), UL94V-0, black

## Model number allocation

### Contact

**S ZND - 002 T - P 0.5**

Supply form: Strip form

Series name

Applicable wire range: AWG #28 to AWG #24

Surface finish: Tin-plated

Material: Copper alloy

Applicable post size

### Socket housing

**ZND P - 04 V - A - S**

Series name

Type: Plug

No. of circuits

Flammability: UL94V-0

Key pattern: Key pattern A

Color: Natural

### Header

**BM 04 B - ZND S S - A - TF**

Header type:  
SMT Top entry type

No. of circuits

Assembly product

Series name

Color: Natural

Clinched (Kinked) / Not clinched: Straight

Key pattern: Key pattern A

Packaging style: Embossed-taping

### Retainer

**ZND S - 04 V - K**

Series name

Type: Retainer

No. of circuits

Flammability: UL94V-0

Color: Black