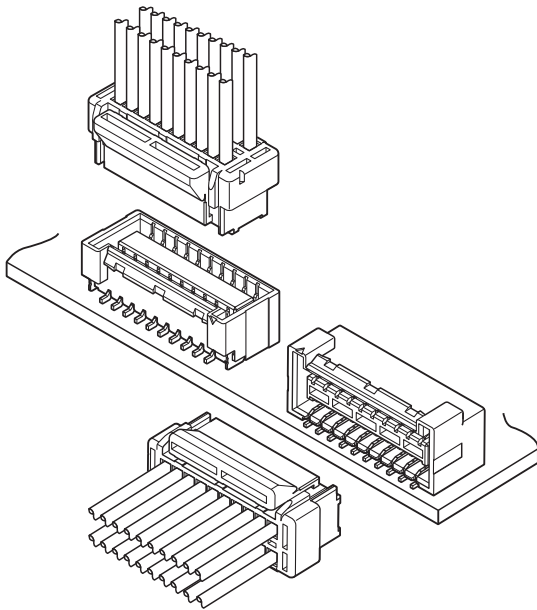




ZPD CONNECTOR

1.5 mm pitch/Wire-to-Board connectors/Crimp style and Mating style



This is a wire-to-board connector with 1.5 mm pitch, dual-row structure and secure lock mechanism for high-density board designs. Low insertion force and good insertion feeling ensure reliable mating operations.

- Secure lock mechanism
- Low insertion/extraction force
- Suction area is secured.
- Excellent resistance to insertion/extraction operation with prying

Standards

Ⓜ: Recognized E 60389

Ⓢ: Certified LR 20812

Specifications

- Current rating: 2 A/ 10 to 30 circuits AC/DC (AWG #24)
1.5 A/ 32 to 40 circuits AC/DC (AWG #24)
- Voltage rating: 100 V AC/DC
- Temperature range: -25°C to +85°C (including temperature rise in applying electrical current)
- Contact resistance:
Initial value/ 30 mΩ max.
After environmental tests/ 60 mΩ max.
- Insulation resistance: 500 MΩ min.
- Withstanding voltage:
There shall be no breakdown or flashover while applying 500 VAC for one minute.
- Applicable wire range:
Conductor size/ AWG #28 to AWG #24
Insulation O.D. / ϕ 0.76 mm to ϕ 1.2 mm

* In using the products, refer to "Handling Precautions for Terminals and Connectors" described on our website (Technical documents of Product information page).

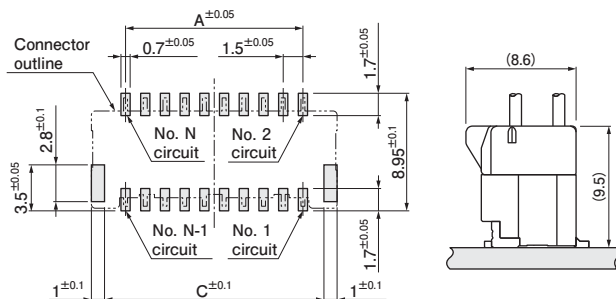
* RoHS2 compliance

* Dimensional unit: mm

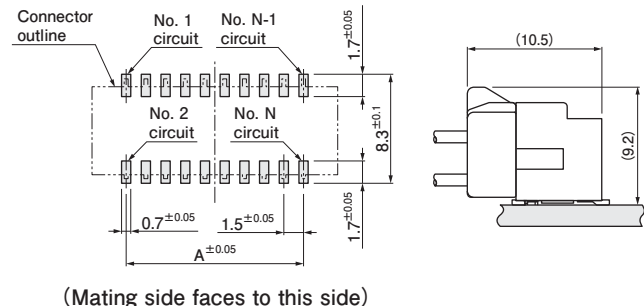
* Contact JST for details.

PC board layout and Assembly layout

Top entry type



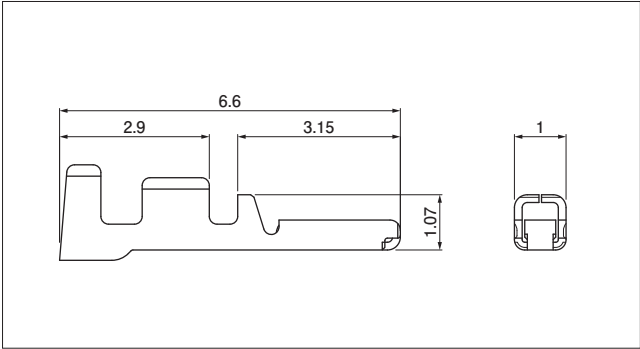
Side entry type



- Note: 1. The figure of PC board layout is the figure viewed from the connector mounting side.
2. Dimensions A and C: See "Header" section on page 3.
3. Tolerance for the PCB pattern pitch shall be ± 0.05 , and shall not accumulate more than ± 0.05 .
4. The above dimensions are reference values. Please contact JST for details.

ZPD CONNECTOR

Contact



Model No.	Applicable wire range		Q'ty/ reel
	Conductor size AWG (mm ²)	Insulation O.D. (mm)	
SZPD-002T-P0.3	#28 to #24 (0.08 to 0.21)	0.76 to 1.2	16,000

Material and Surface finish, etc.

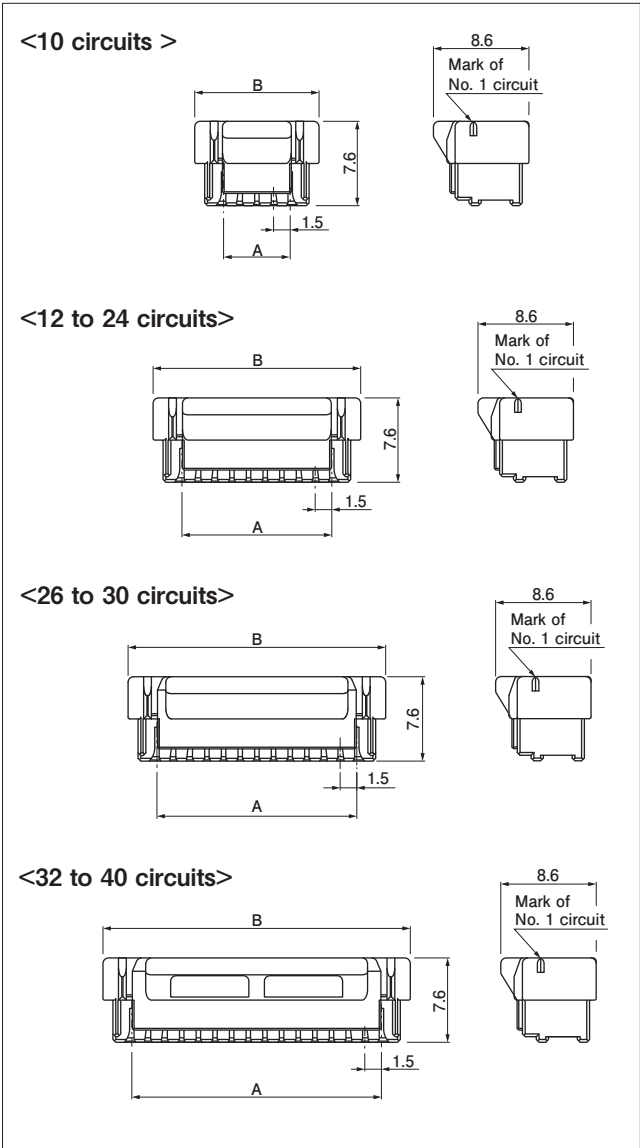
Copper alloy, tin-plated

Crimping machine

Contact	Crimping machine	Applicator	Crimp applicator with dies
SZPD-002T-P0.3	AP-K2N	MKS-L	APLMK SZE002-03

Note: Contact JST for fully automatic crimping applicator.

Socket housing



No. of circuits	Model No.	Dimensions (mm)		Q'ty/bag
		A	B	
10	ZPDR-10V-S	6.0	11.2	1,000
12	ZPDR-12V-S	7.5	12.7	1,000
14	ZPDR-14V-S	9.0	14.2	1,000
16	ZPDR-16V-S	10.5	15.7	1,000
18	ZPDR-18V-S	12.0	17.2	1,000
20	ZPDR-20V-S	13.5	18.7	1,000
22	ZPDR-22V-S	15.0	20.2	1,000
24	ZPDR-24V-S	16.5	21.7	1,000
26	ZPDR-26V-S	18.0	23.2	1,000
28	ZPDR-28V-S	19.5	24.7	500
30	ZPDR-30V-S	21.0	26.2	500
32	ZPDR-32V-1-Z	22.5	27.7	500
34	ZPDR-34V-1-Z	24.0	29.2	500
36	ZPDR-36V-1-Z	25.5	30.7	500
38	ZPDR-38V-1-Z	27.0	32.2	500
40	ZPDR-40V-1-Z	28.5	33.7	500

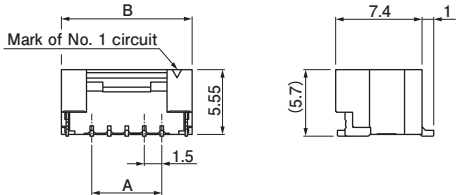
Material and Surface finish, etc.

PBT, UL94V-0, natural (10 to 30 circuits), ivory (32 to 40 circuits)

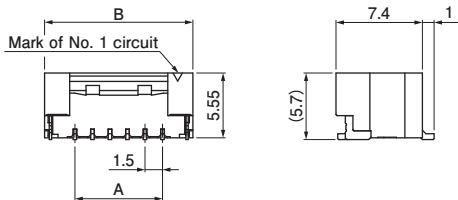
Header

Top entry type

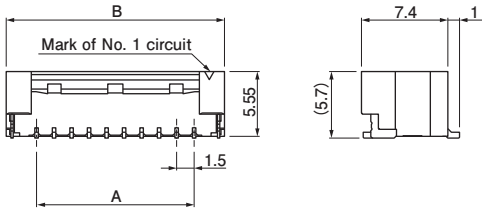
<10 circuits>



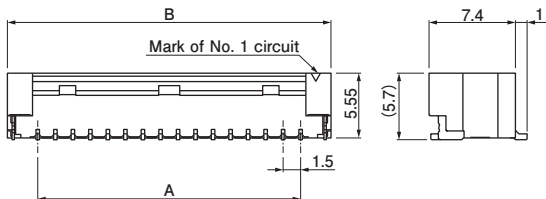
<12 circuits>



<14 to 30 circuits>



<32 to 40 circuits>



Top entry type

No. of circuits	Model No.	Dimensions (mm)			Q'ty/reel
		A	B	C	
10	BM10B-ZPDSS-TF	6.0	11.2	9.2	1,000
12	BM12B-ZPDSS-TF	7.5	12.7	10.7	1,000
14	BM14B-ZPDSS-TF	9.0	14.2	12.2	1,000
16	BM16B-ZPDSS-TF	10.5	15.7	13.7	1,000
18	BM18B-ZPDSS-TF	12.0	17.2	15.2	1,000
20	BM20B-ZPDSS-TF	13.5	18.7	16.7	1,000
22	BM22B-ZPDSS-TF	15.0	20.2	18.2	1,000
24	BM24B-ZPDSS-TF	16.5	21.7	19.7	1,000
26	BM26B-ZPDSS-TF	18.0	23.2	21.2	1,000
28	BM28B-ZPDSS-TF	19.5	24.7	22.7	1,000
30	BM30B-ZPDSS-TF	21.0	26.2	24.2	1,000
32	BM32B-ZPDZS-TF	22.5	27.7	25.7	1,000
34	BM34B-ZPDZS-TF	24.0	29.2	27.2	1,000
36	BM36B-ZPDZS-TF	25.5	30.7	28.7	1,000
38	BM38B-ZPDZS-TF	27.0	32.2	30.2	1,000
40	BM40B-ZPDZS-TF	28.5	33.7	31.7	1,000

Material and Surface finish, etc.

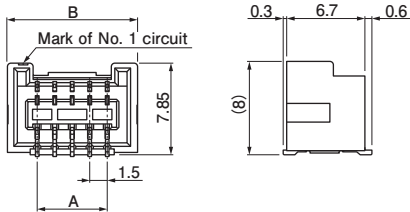
Header contact: Copper alloy, copper-undercoated, tin-plated
 Wafer: 10 to 30 circuits/ Polyamide, UL94V-0, natural
 32 to 40 circuits/ LCP, UL94V-0, ivory
 Reinforcing tab: Copper alloy, copper-undercoated, tin-plated

- Note: 1. This product displays (LF)(SN) on a label.
 2. Dimensions C: See "PC board layout" section on page1.
 3. The products listed above are supplied on embossed-tape.

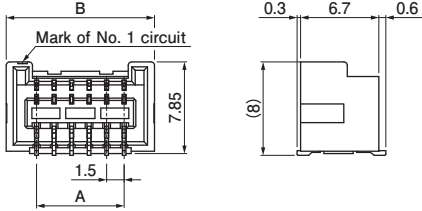
Header

Side entry type

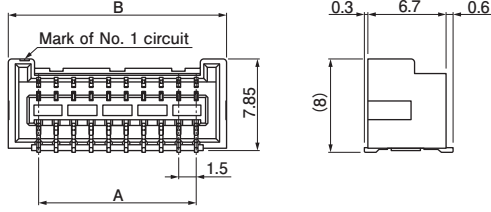
<10 circuits>



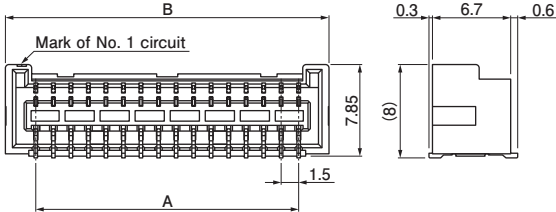
<12 circuits>



<14 to 30 circuits>



<32 to 40 circuits>



Side entry type

No. of circuits	Model No.	Dimensions (mm)		Q'ty/reel
		A	B	
10	SM10B-ZPDSS-TF	6.0	11.2	700
12	SM12B-ZPDSS-TF	7.5	12.7	700
14	SM14B-ZPDSS-TF	9.0	14.2	700
16	SM16B-ZPDSS-TF	10.5	15.7	700
18	SM18B-ZPDSS-TF	12.0	17.2	700
20	SM20B-ZPDSS-TF	13.5	18.7	700
22	SM22B-ZPDSS-TF	15.0	20.2	700
24	SM24B-ZPDSS-TF	16.5	21.7	700
26	SM26B-ZPDSS-TF	18.0	23.2	700
28	SM28B-ZPDSS-TF	19.5	24.7	700
30	SM30B-ZPDSS-TF	21.0	26.2	700
32	SM32B-ZPDZS-TF	22.5	27.7	700
34	SM34B-ZPDZS-TF	24.0	29.2	700
36	SM36B-ZPDZS-TF	25.5	30.7	700
38	SM38B-ZPDZS-TF	27.0	32.2	700
40	SM40B-ZPDZS-TF	28.5	33.7	700

Material and Surface finish, etc.

Header contact: Copper alloy, copper-undercoated, tin-plated
 Wafer: 10 to 30 circuits/ Polyamide, UL94V-0, natural
 32 to 40 circuits/ LCP, UL94V-0, ivory

Note: 1. This product displays (LF) (SN) on a label.
 2. The products listed above are supplied on embossed-tape.

Model number allocation

Contact

S ZPD - 002 T - P 0.3

Supply form: Strip form

Series name

Applicable wire range: AWG #28 to AWG #24

Surface finish: Tin-plated

Material: Copper alloy

Applicable contact size

Socket housing/ 10 to 30 circuits

ZPD R - 10 V - S

Series name

Type: Socket

No. of circuits

Flammability: UL94V-0

Color: S...Natural, MG...Moss green,
TR...Tomato red, E...Blue

Socket housing/ 32 to 40 circuits

ZPD R - 32 V - 1 - Z

Series name

Type: Socket

No. of circuits

Flammability: UL94V-0

Identification mark

Color: Z...Ivory, K...Black

Header

BM 10 B - ZPD S S - TF

Header type: BM...Top entry type
SM...Side entry type

No. of circuits

Assembly product

Series name

Color: 10 to 30 circuits/ S...Natural, MG...Moss green,
TR...Tomato red, E...Blue
32 to 40 circuits/ Z...Ivory, K...Black

Supplementary symbol

Packaging style: Embossed-taping